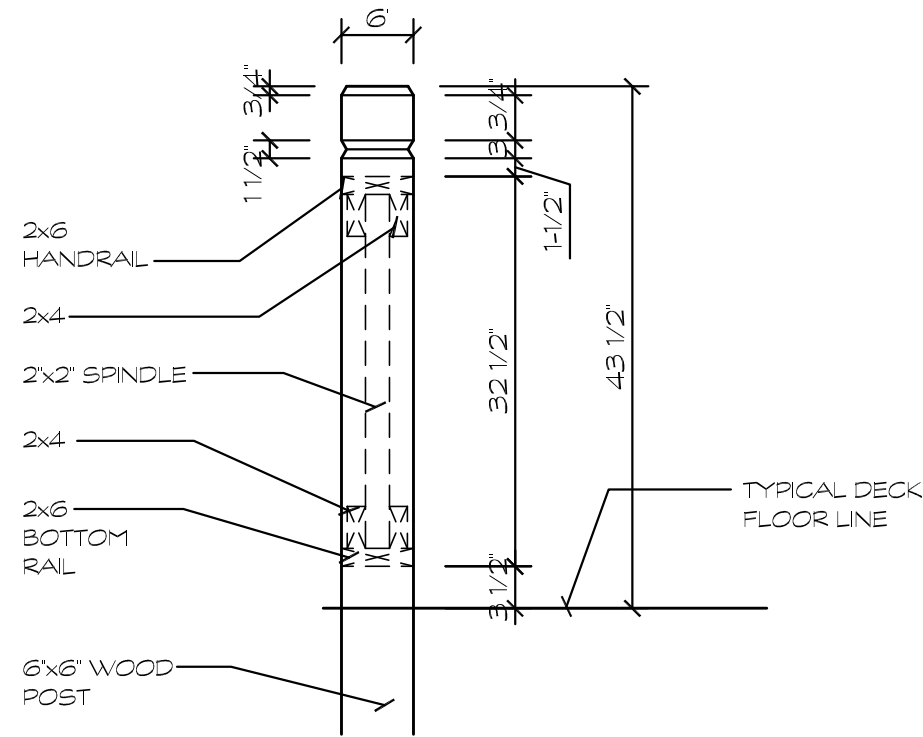
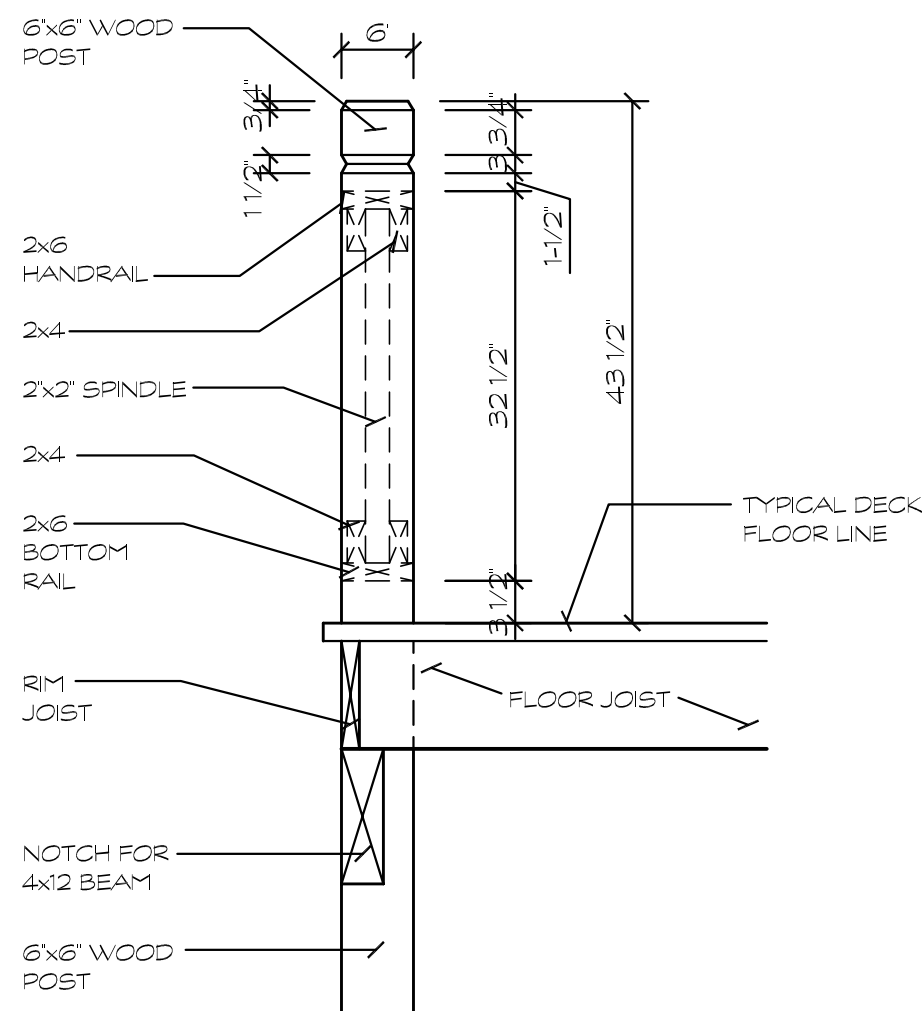


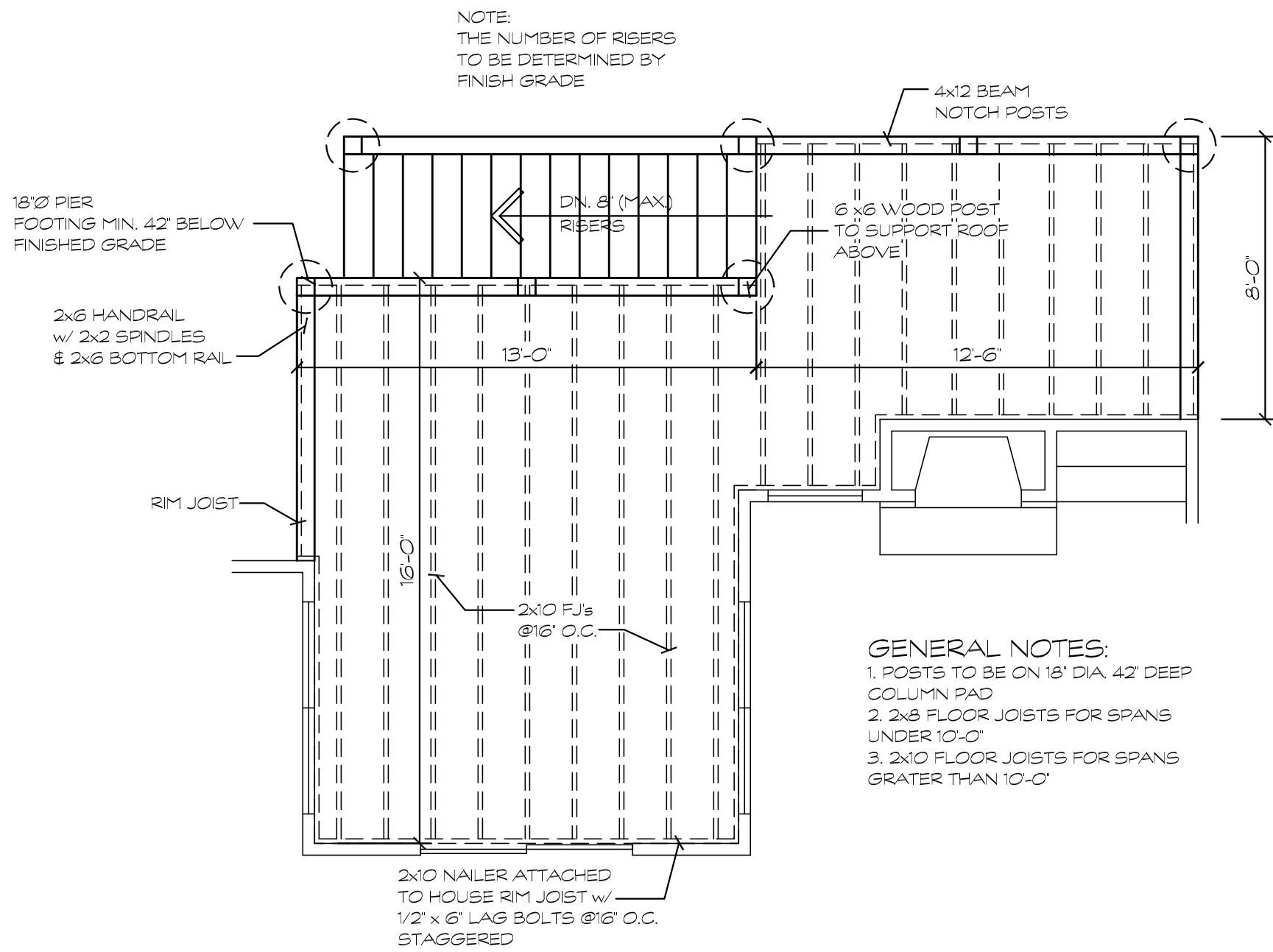
1 POST DETAIL
SCALE: 3/4" = 1'-0"



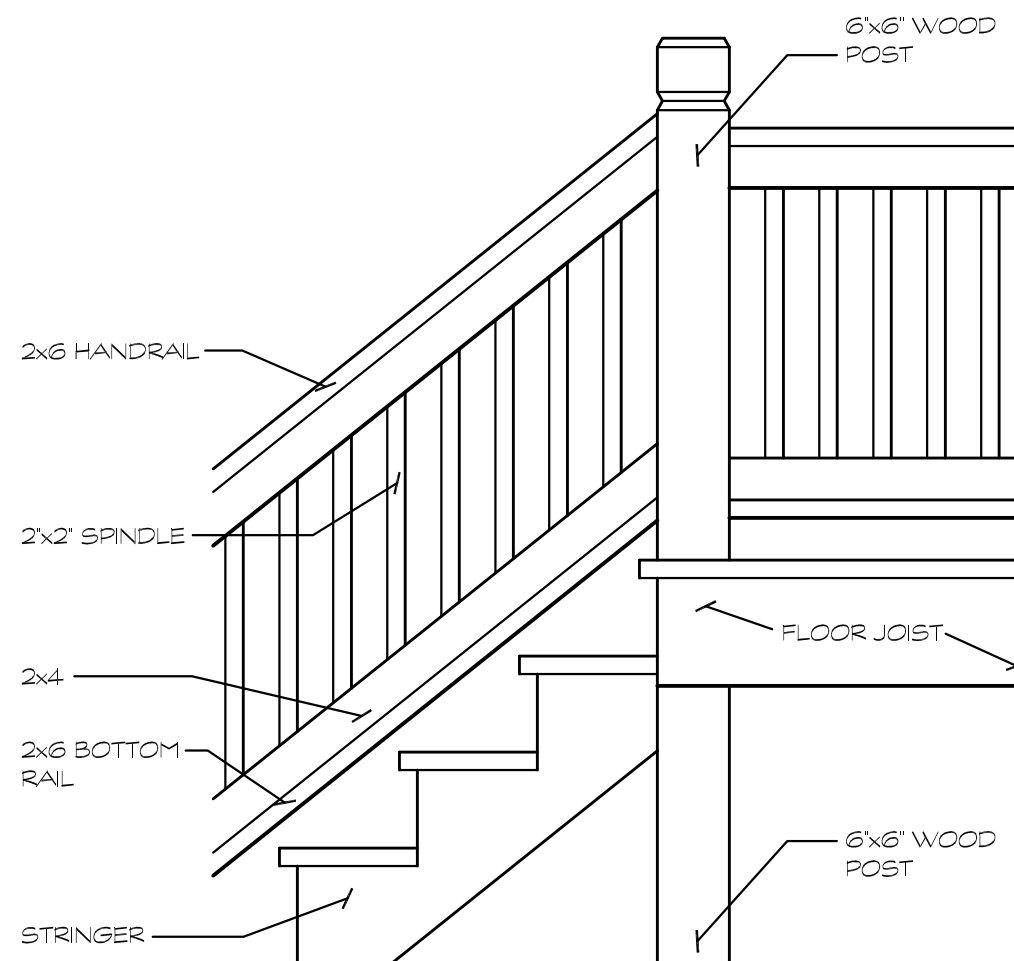
2 DECK/STAR RAIL SECTION
SCALE: 3/4" = 1'-0"



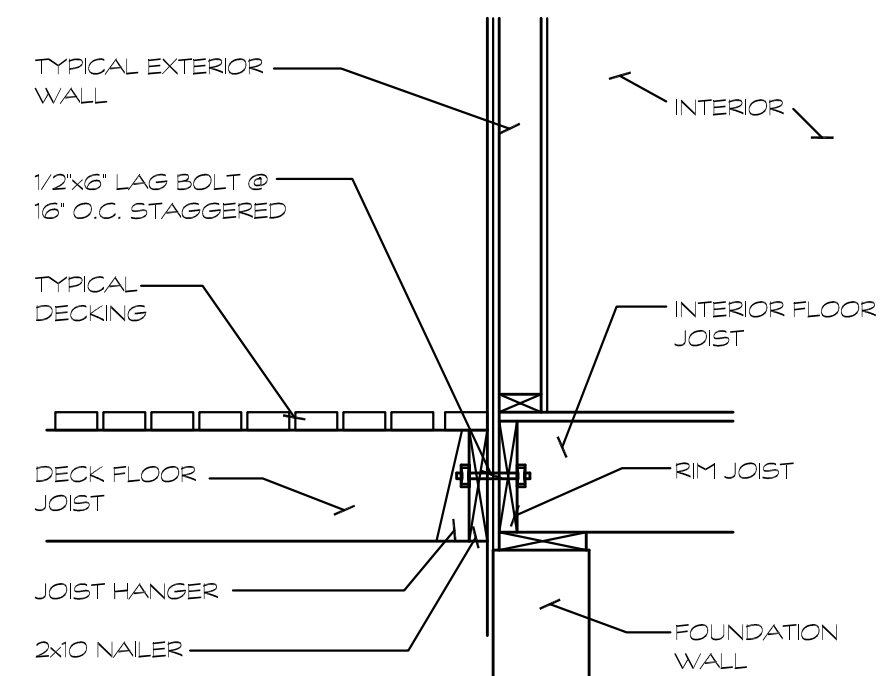
4 TYPICAL DECK SECTION
SCALE: 3/4" = 1'-0"



3 TYP. DECK PLAN
SCALE: 1/4" = 1'-0"



5 (OPTIONAL) RAIL DETAIL @ STAIRS
SCALE: 3/4" = 1'-0"



6 TYPICAL DECK TO WALL SECTION
SCALE: 3/4" = 1'-0"

GENERAL NOTES:
1. POSTS TO BE ON 18" DIA. 42" DEEP COLUMN PAD
2. 2x8 FLOOR JOISTS FOR SPANS UNDER 10'-0"
3. 2x10 FLOOR JOISTS FOR SPANS GRATER THAN 10'-0"

KEN TINNES
RESIDENTIAL DESIGN

16125 ADAMS STREET
OMAHA, NEBRASKA 68135
(402) 895-6090

PROJ. NO.: 08001
DATE: 02.14.08
REVISION: PAGE NO.