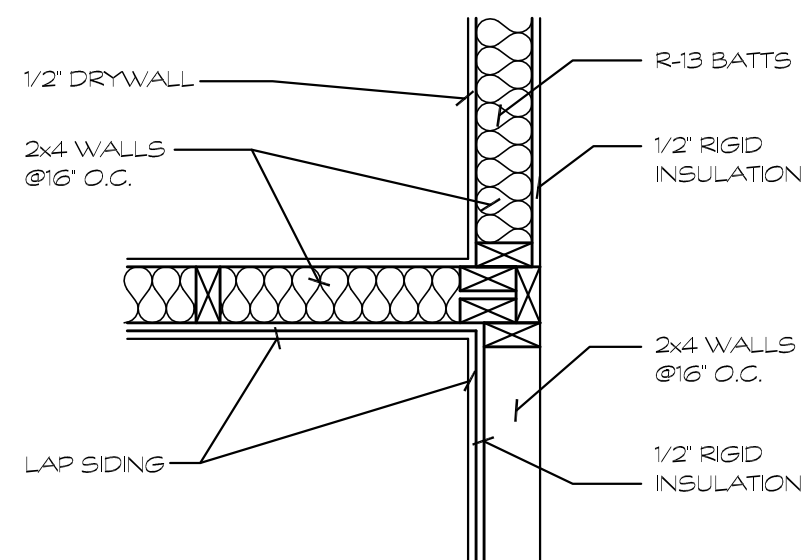
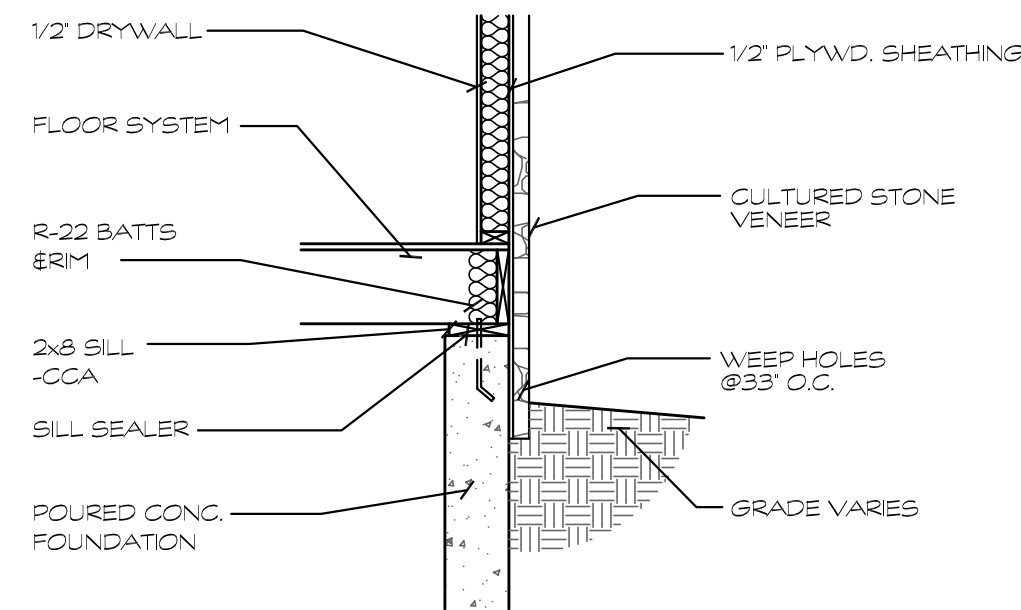


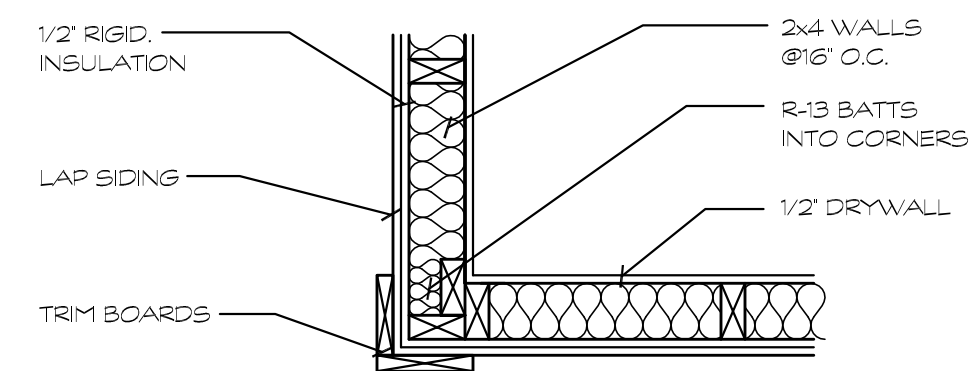
1 FRAMED WALL SECTION  
SCALE: 3/8" = 1'-0"



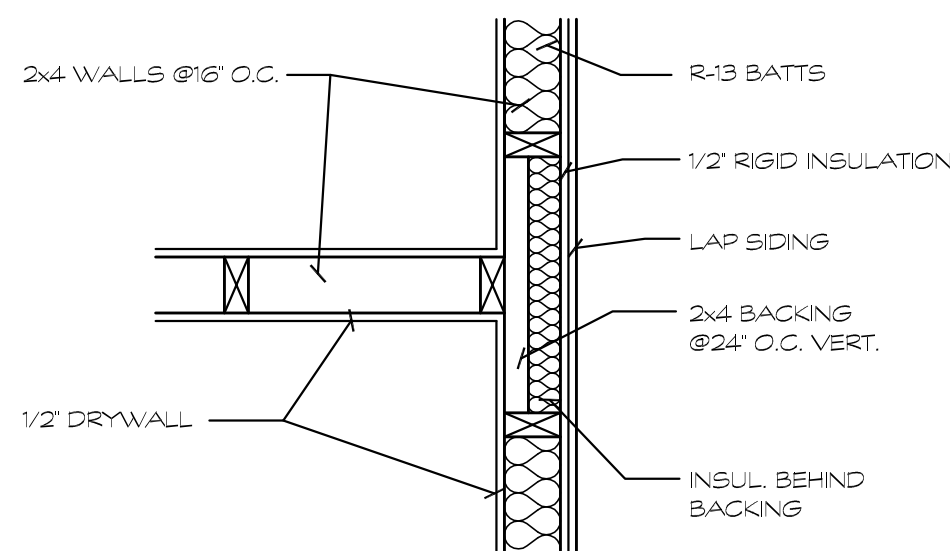
2 TYPICAL SECTION  
SCALE: 1" = 1'-0"



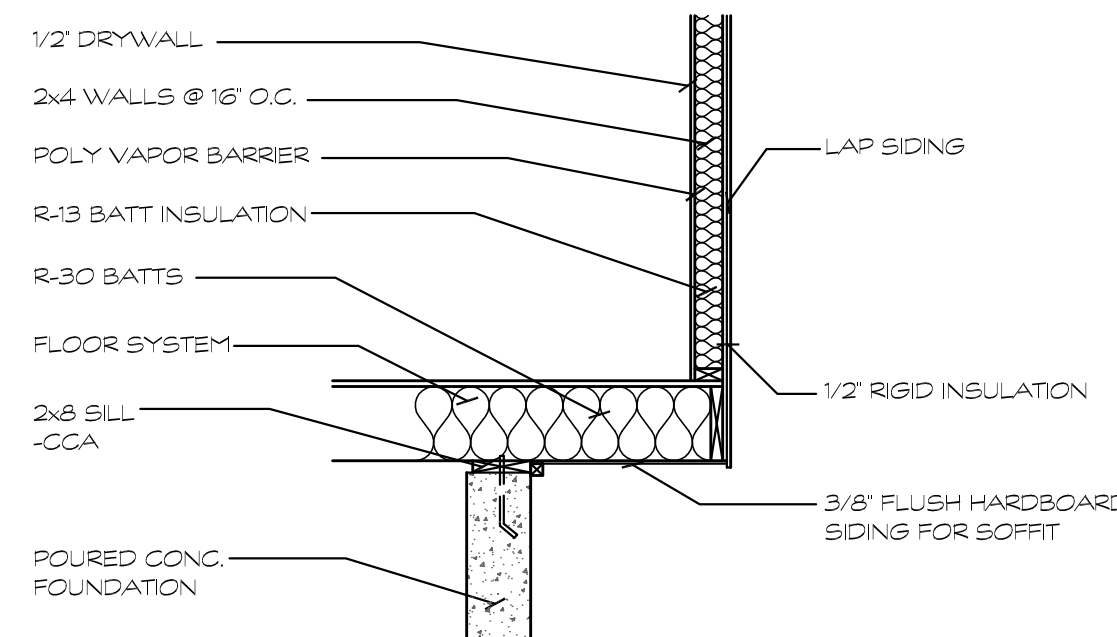
3 SECTION @ STONE  
SCALE: 1/2" = 1'-0"



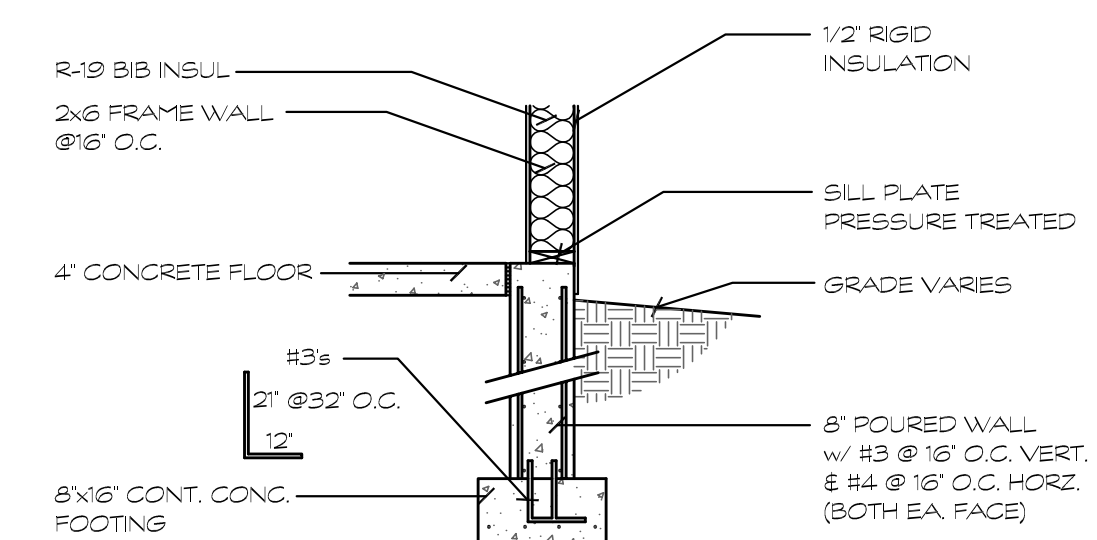
4 TYPICAL SECTION  
SCALE: 1" = 1'-0"



5 TYPICAL SECTION  
SCALE: 1" = 1'-0"



6 CANTILEVER SECTION  
SCALE: 1/2" = 1'-0"



7 WALKOUT SECTION  
SCALE: 1/2" = 1'-0"